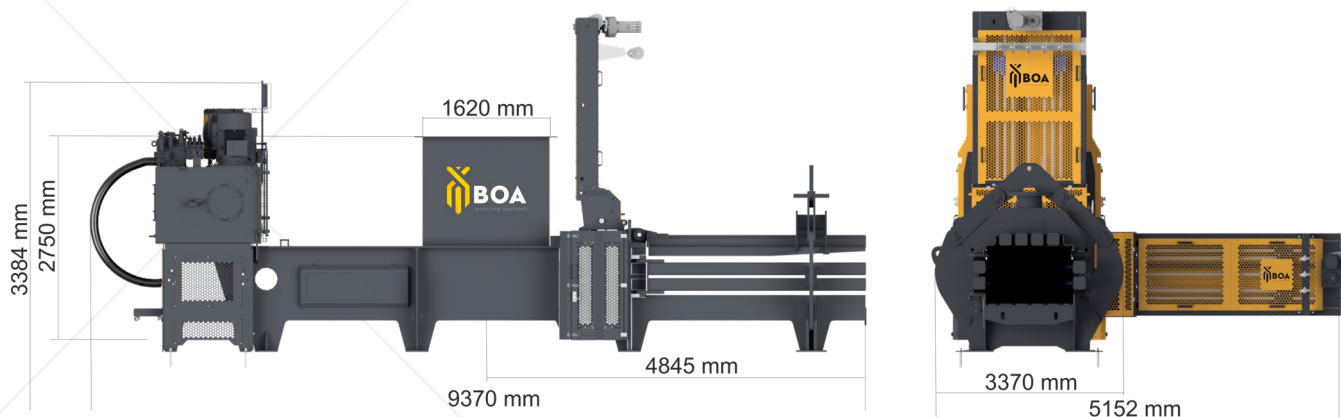


S SERIES

Baling press constructed as a cutting press with an automatic binding system and hydraulic counter press channel for fully automatic bale production.

The cutting knives are located underneath the robust V-shaped cutter bar in the press chamber and on top of the press ram. There is an increased distance between the cutting system and the final end position of the ram stroke. As a result of this, less material needs to be cut and more force and speed can be applied to compress the material. Resulting in the best cutting performance and reducing wear, operating costs and energy consumption.

The press is suitable for processing paper, cardboard, varied materials, various plastics and other recyclables. An anti-blocking poulder can be added - which is optional - to enable cutting very difficult types of material. Moreover, several control possibilities provide optimal press result with heavy, well-shaped and stackable bales.





IMPRESS S 75 A.5V.1.4

IMPRESS S 60 A.5V.1.4

Hydraulic power unit	45	37	kW	45	37	kW
Main pump	45	37	kW	45	37	kW
Counter pressure pump	5.5	5.5	kW	5.5	5.5	kW
Filter pump	4	4	kW	4	4	kW
Oil cooler	1.1	1.1	kW	1.1	1.1	kW
Oil tank capacity	1250	1250	L	1250	1250	L
Average working cycle time	16	19	Sec	13	16	Sec

Capacity *Dependant on material, input and bale weight.*

Material weight

30 kg/m ³	8	7	Ton/h	8	7	Ton/h
60 kg/m ³	14	12	Ton/h	14	12	Ton/h
100 kg/m ³	18	16	Ton/h	20	18	Ton/h
150 kg/m ³	28	22	Ton/h	26	23	Ton/h
Press stroke volume (without load)	463	382	m ³ /h	450	400	m ³ /h
Operational voltage		400	V/50Hz		400	V/50Hz
Electrical insulation classification		IP55			IP55	
Operational hydraulic pressure		280	bar		280	bar
Press force		712	kN		573	kN
Specific Press force pro cm ²		9,0	kg/cm ²		7,1	kg/cm ²
Press stroke		2200	mm		2200	mm
Press channel dimensions		1100 x 720	mm		1100 x 720	mm
Dimensions filling hopper LxW		1620 x 1000	mm		1620 x 1000	mm
Press chamber volume		1,7	m ³		2,4	m ³
Bale length (optional)		1400	mm		1400	mm
Bale weight		up to 575	kg		up to 600	kg
Number of binding wires		5 vertical			5 vertical	
		3 horizontal (optional)			3 horizontal (optional)	
Press weight approx.		28	Ton		28	Ton
Noise level		<85	dB(A)		<85	dB(A)