

# BASELINE

*The BOA Baseline is an easy to use and reliable baling press, producing evenly formed bales at low operating costs. Not being pretentious, just doing what it's made for: straightforward baling!*



The competitively priced BOA Baseline is a basic baling press that produces perfect mill-sized bales. It is user-friendly, easy accessible and safe.

This horizontal shear baler has an automatic binding system with 5 vertical wires, using minimum floor space. It produces bales fully automatically and has a press force of 60 tons. The optimum design of the press chamber and the cutting bar results in excellent cutting performance. The machine applies more force and speed to compress the material, reducing wear, operating costs and energy consumption.

The BOA Baseline is a low-cost shear press with an automatic binding system and a hydraulically functioning pressure channel. It's a fully automatic baling press which is ultimately suitable to press paper, cardboard, plastic (such as film and PET) into well-shaped stackable bales.

The baseline press is easy to control, maintenance-free and has no unnecessary options. In short: The baseline reflects for high-quality, operational reliability and low costs.

## LOOK AT THE FACTS

### Technical facts

- Self-supporting construction enabling the baler to be installed quickly and easily.
- Easy operation through an intuitive touch screen.
- Reliable hydraulic drive, continuous oil filtration.
- Low installed power with high press force of up to 60 tons.
- Reliable, hydraulically driven binding system for automatic binding of the bales.
- Vertical binding with 5 wires and small reel holders.

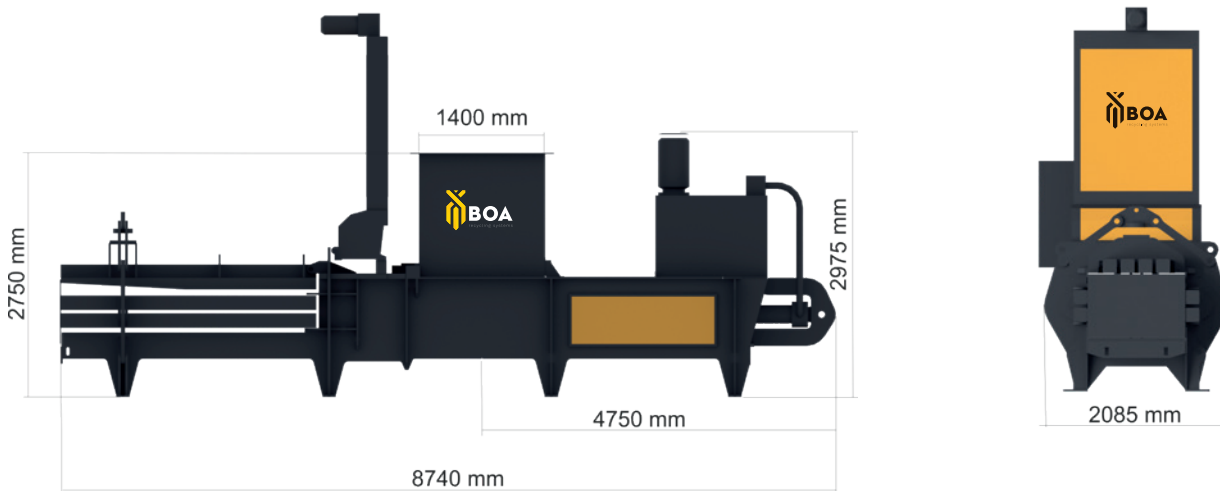
### Hydraulic facts

- Hydraulic unit with high-quality reliable European components.
- Solid and low-noise pump.
- Valve block with cartridge valves.
- The hydraulic unit is compact, service friendly and well accessible.

## BENEFITS

- Very efficient baling, thanks to its low installed power combined with a high press force.
- Binding with 5 vertical wires, taking up a little floor space.
- Easy accessible and low wear and tear, reducing the maintenance costs to a minimum.
- Very competitive price, quick return on investment.
- User-friendly: touchscreen operation and the possibility to program many different material settings.
- Makes heavy, evenly formed and easily-stackable mill-sized bales.

► *Basic and functional: making the best mill-sized bale the most effective way.*



<b>Drive hydraulic power unit</b>		Operational voltage	400 Volt/50 Hz
Main pump	22 kW	Electrical insulation classification	IP 55
Oil cooler / Filter pump	1,5 kW	Operational hydraulic pressure:	240 bars
Oil tank capacity:	900 litres	Press force	610 kN
Average working cycle time	28 sec	Pecific press force	7,7 kg/cm <sup>2</sup>
		Press stroke	2000 mm
<b>Capacity</b> <i>Dependant on material, input and bale weight.</i>		Press channel dimensions	1100 x 720 mm
Material weight		Press chamber volume	1,6 m <sup>3</sup>
30 kg/m <sup>3</sup>	3,8 Ton/h	Bale length adjustable	1300 mm
60 kg/m <sup>3</sup>	7,1 Ton/h	Bale weight (indication)	up to ca. 500 kg
100 kg/m <sup>3</sup>	10,9 Ton/h	Number of binding wires	5 vertical
		Weight of the baler	ca. 14 tons
		Noise level	< 85 dB(A)