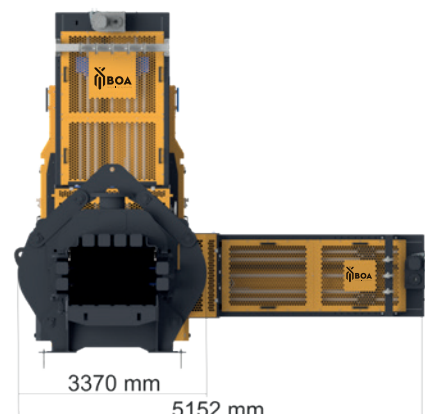
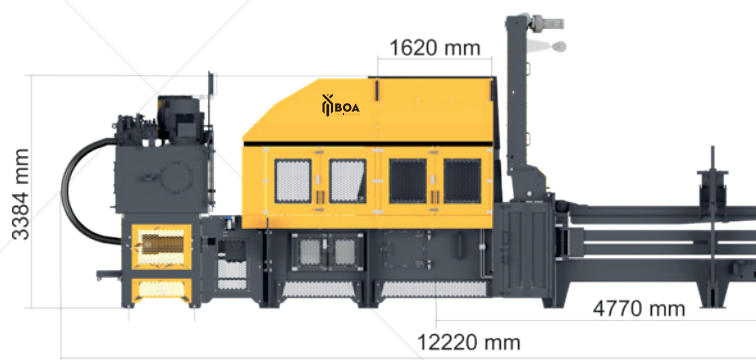


M SERIES

Baling press constructed with one prepress flap, automatic binding system and hydraulic counter press channel for fully automatic bale production.

The prepress flap in the filling opening closes before the press ram finishes the press cycle. Because of this, optimal heavy homogeneous bales are produced without making cutting necessary. This flap has been built in a way so that vertically occurring forces can well be absorbed. An anti-blockage cycle minimizes interventions. As a result of this, materials that are difficult to press can be processed as well.

The press is reliable due to the cutter bar with exchangeable knives in the top of the press chamber. The press is extremely suitable for processing paper, cardboard, varied material, various plastics such as foils, bottles and other recyclables. Moreover, several control possibilities provide optimal press results with heavy, well-shaped and stackable bales.





IMPRESS M 75 A.5V.1.6

IMPRESS M 60 A.5V.1.6

Hydraulic power unit	45	37	kW	37	22	kW
Main pump	45	37	kW	37	22	kW
Counter pressure pump	5.5	5.5	kW	5.5	5.5	kW
Filter pump	4	4	kW	4	4	kW
Oil cooler	1.1	1.1	kW	1.1	1.1	kW
Oil tank capacity	1250	1250	L	1250	1250	L
Average working cycle time	24	27	Sec	24	32	Sec

Capacity *Dependant on material, input and bale weight.*

Material weight

30 kg/m ³	8	7	Ton/h	8	6	Ton/h
60 kg/m ³	14	12	Ton/h	13	10	Ton/h
100 kg/m ³	20	18	Ton/h	18	14	Ton/h
150 kg/m ³	26	23	Ton/h	23	18	Ton/h
Press stroke volume (without load)	450	400	m ³ /h	430	370	m ³ /h
Operational voltage		400	V/50Hz		400	V/50Hz
Electrical insulation classification		IP55			IP55	
Operational hydraulic pressure		280	bar		280	bar
Press force		712	kN		563	kN
Specific Press force pro cm ²		9,0	kg/cm ²		7,1	kg/cm ²
Press stroke		2200	mm		2200	mm
Press channel dimensions		1100 x 720	mm		1100 x 720	mm
Dimensions filling hopper LxW		1620 x 1000	mm		1620 x 1000	mm
Press chamber volume		2,4	m ³		2,4	m ³
Bale length (optional)		1400	mm		1400	mm
Bale weight		up to 600	kg		up to 500	kg
Number of binding wires		5 vertical			5 vertical	
		3 horizontal	(optional)		3 horizontal	(optional)
Press weight approx.		32	Ton		31	Ton
Noise level		<85	dB(A)		<85	dB(A)